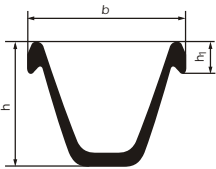




ArcelorMittal

Kształtowniki dla górnictwa Profiles for mining industry



PN-H-93441-1:2004;
PN-H-93441-3: 2004
DIN 21530-2:2003-05
WT-OCH-79b

Oznaczenie
Designation

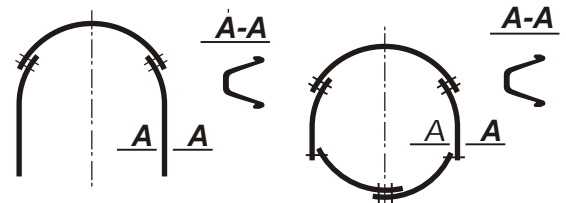
Wymiary (mm)
Dimensions (mm)

Masa 1m
Weight of 1m

| | Wymiary (mm) Dimensions (mm) | | | Masa 1m Weight of 1m |
|------|---------------------------------|-------|----------------|-------------------------|
| | B | H | h ₁ | kg |
| V 25 | 135,0 | 118,0 | 28,5 | 25,0 |
| V 29 | 150,5 | 124,0 | 31,5 | 28,5 |
| V 32 | 171,0 | 137,0 | 35,5 | 32,1 |
| V 36 | 171,0 | 138,0 | 35,5 | 35,5 |

Odrzwia łukowe podatne z kształtowników typu „V” Flexible gallery supports of „V” profiles

ŁP - PN-93/G-15000/02; PN-93/G-15000/03; WT-OCHŁP-71a;
ŁPM - TWT-OCHŁ-40; ŁPP - WT-OCHŁP-72a, OCHŁPP-55a;
ŁPZ - WT-OCHŁP-81a; ŁPZS - WT-OCHŁP-82a;
ŁPrP oraz/and ŁPrPZ* - WT-OCHŁP-70a;
ŁPS/C oraz/and ŁPZS/C - WT-OCHŁ-54a;
WT-AM-133



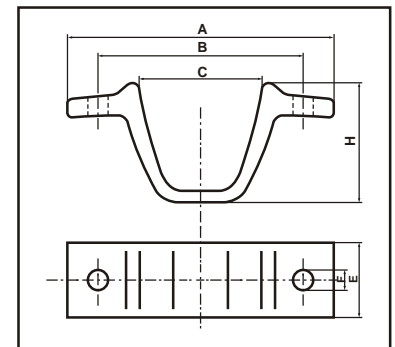
Jarzma dolne do strzemion SD i SDO Lower yokes for stirrups SD and SDO

Typ jarzma dolnego
Type of lower yokes

Wymiary (mm)
Dimensions

| Profil Profile | Przeznaczenie Destination | A | B | C | H | E | F |
|-------------------|------------------------------|-------------------------------------|---------------------|-----------------------|-------------------------------------|---------------------|---------------------|
| J21/ZO* | SDOD21 | 206 ^{+4,0} _{-3,0} | 158 ^{±2,0} | 98 ^{±1,0} | 105 ^{±1,0} | 80 ^{±1,0} | Ø22 ^{±0,3} |
| J25/ZO* | SDOD25 | 214 ^{+4,0} _{-3,0} | 168 ^{±2,0} | 106,5 ^{±1,0} | 105 ^{±1,0} | 80 ^{±1,0} | Ø22 ^{±0,3} |
| J29/Z | SDD29 | 255 ^{+4,0} _{-3,0} | 190 ^{±2,0} | 119 ^{±1,0} | 112 ^{±1,0} | 90 ^{±1,0} | Ø26 ^{±0,5} |
| J36/U | SDOD/SDD36 | 264 ^{+3,0} _{-3,0} | 209 ^{±2,0} | 132 ^{±1,0} | 119 ^{+1,0} _{-0,5} | 100 ^{±1,0} | Ø26 ^{±0,5} |

*po uzgodnieniach / after agreement



Kształtowniki na przeno niki zgrzeblowe Sections for scraper conveyor troughs

Oznaczenie
Designation

Wymiary (mm)
Dimensions

Masa 1m
Weight
of 1m

Gatunek
stali
Steel
grade

Normy
Standards

| | Wymiary (mm) Dimensions | | | | | Masa 1m Weight of 1m | Gatunek stali Steel grade | Normy Standards |
|-------|----------------------------|-----|-----|----|----|----------------------------|------------------------------------|---|
| | h | b1 | b2 | b | d | | | |
| E180 | 180 | 90 | 80 | 48 | 10 | 29,42 | 25G2 | PN-H-93441-7:1994, R.F.M. RYFAMA, PATENTUS S.A. |
| E190A | 190 | 110 | 90 | 56 | 18 | 47,60 | 25G2 | |
| E230 | 230 | 88 | 111 | 79 | 25 | 80,50 | 25G2 | |
| E260 | 260 | 112 | 94 | 90 | 28 | 103,00 | 25G2 | |
| EV235 | 235 | 110 | 90 | 88 | 25 | 82,10 | 25G2 | |

